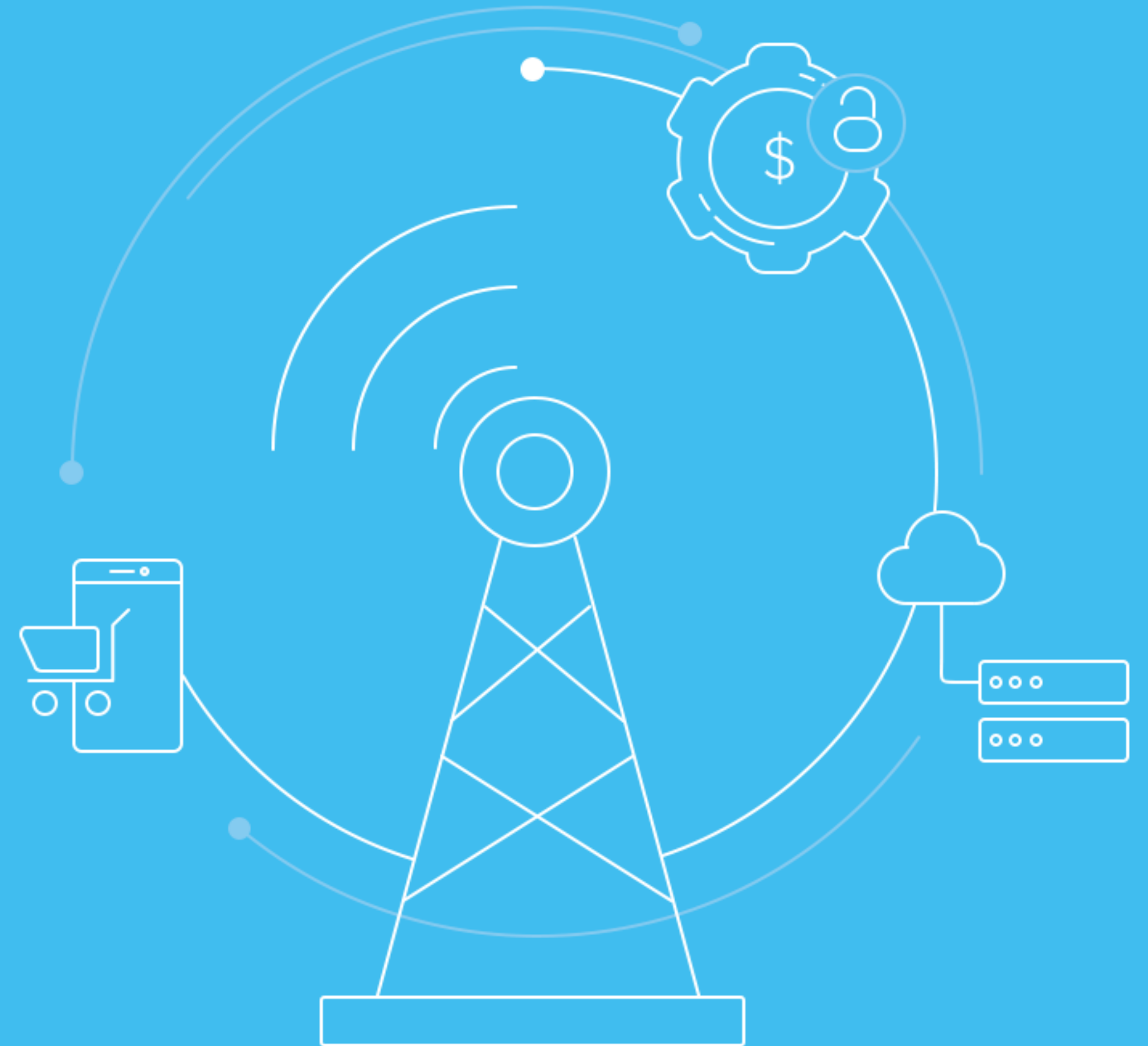




Case study

MOBILE PAYMENT GATEWAY

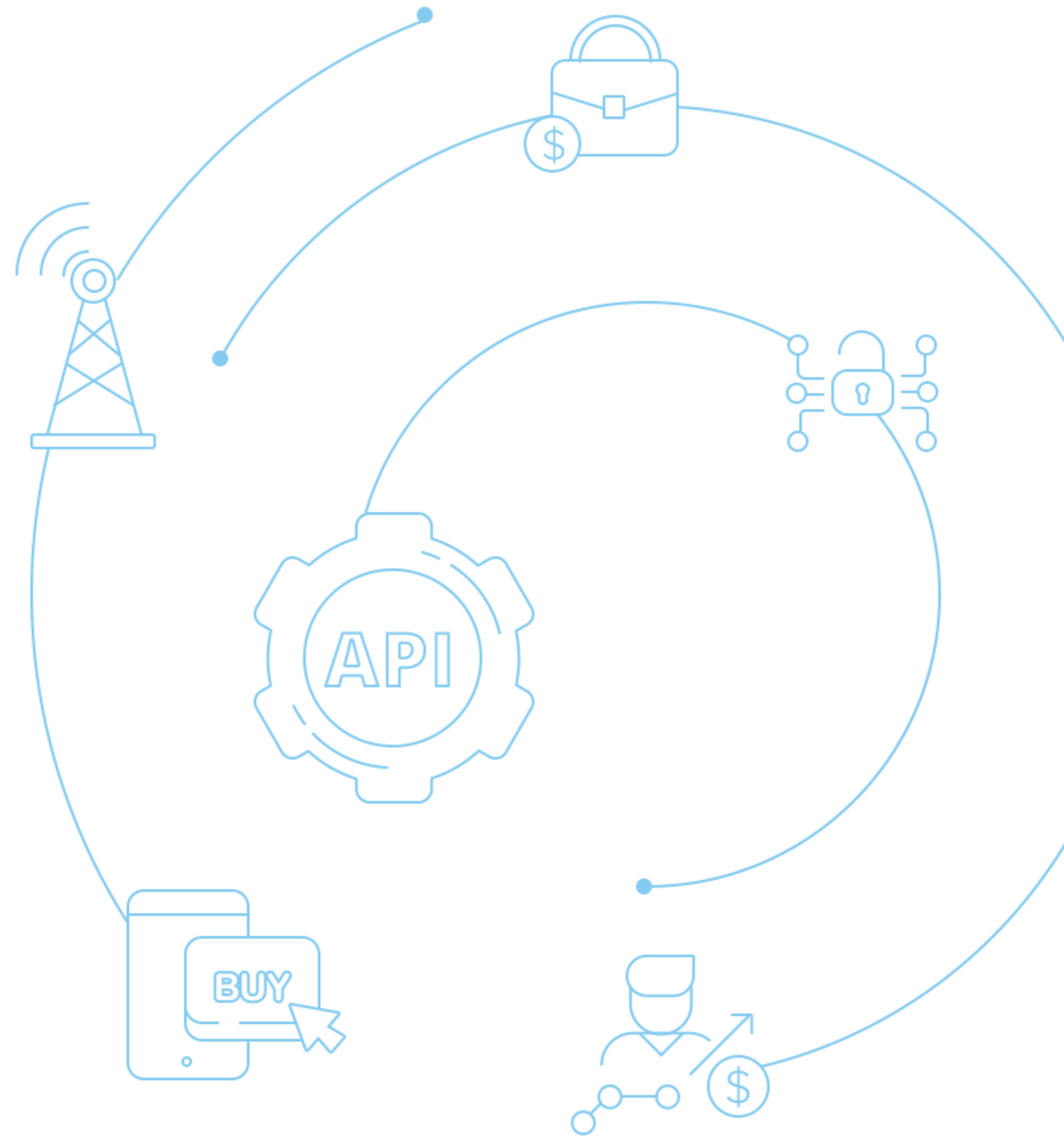


Secure Integration:

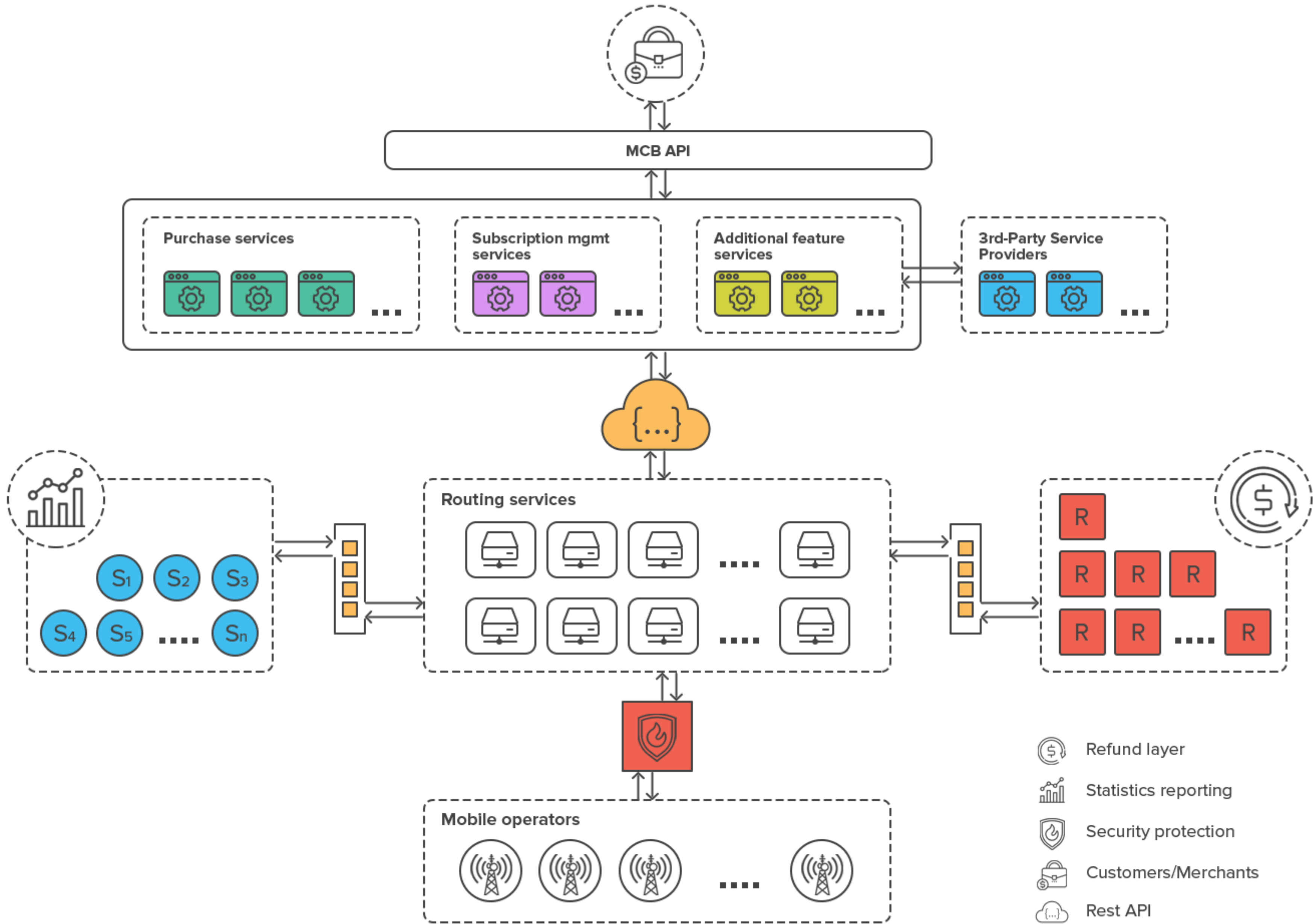
- Fully integrated with mobile operators payment gateways
- ✓ Secured and direct API integration
- Fully integrated into merchants' checkout
- ✓ Secured and direct API integration
- Anti-fraud feature to secure the mobile billing industry from fraudulent traffic
- ✓ Rejecting non-authentic clicks, spoofing, etc...

High performance system:

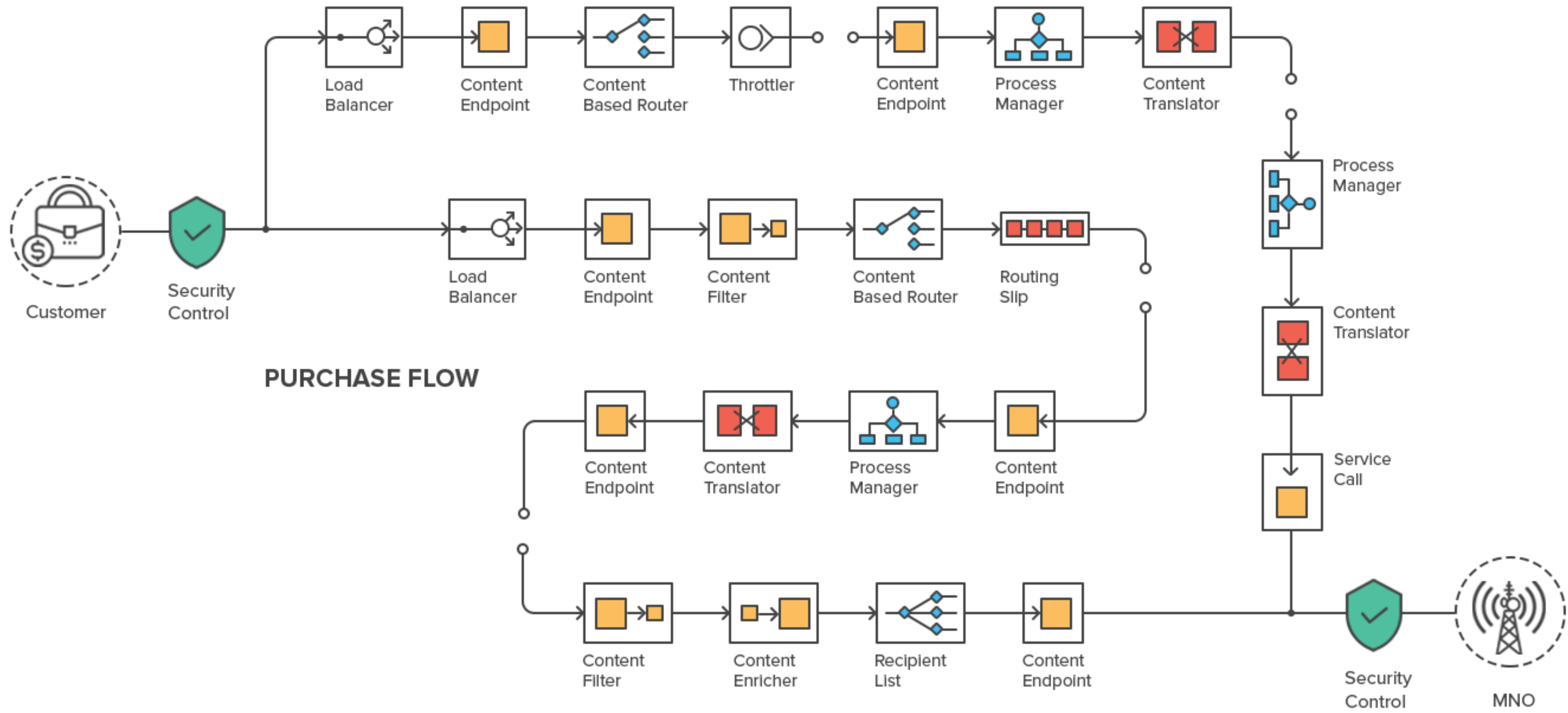
High performance system allowing a smooth and fast payment journey without latency to increase conversion rates.



IMPLEMENTATION



SUBSCRIPTION MGMT FLOW



Secure implementation

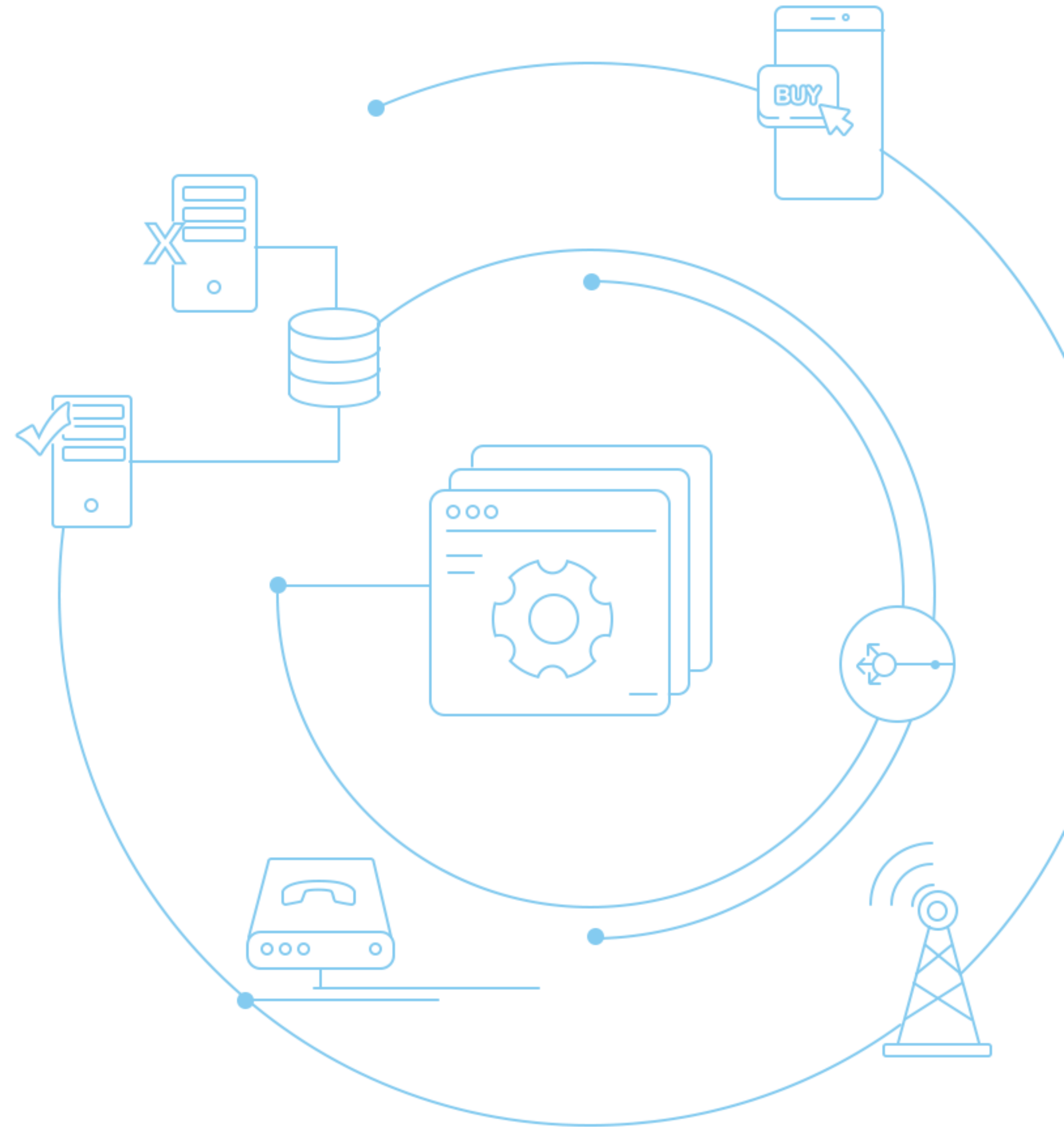
between mobile payment system and merchants and between mobile payment system and mobile operators

Distributed architecture allowing the following features:

- Load balancing for high performances
- Fault tolerance
- Scalability

Software architecture developed as abstract layers

The Mobile Payment Gateway is connected through more than 30 mobile operators in Europe having their proprietary protocol



PROJECT TIMELINE AND COSTS

TEAM

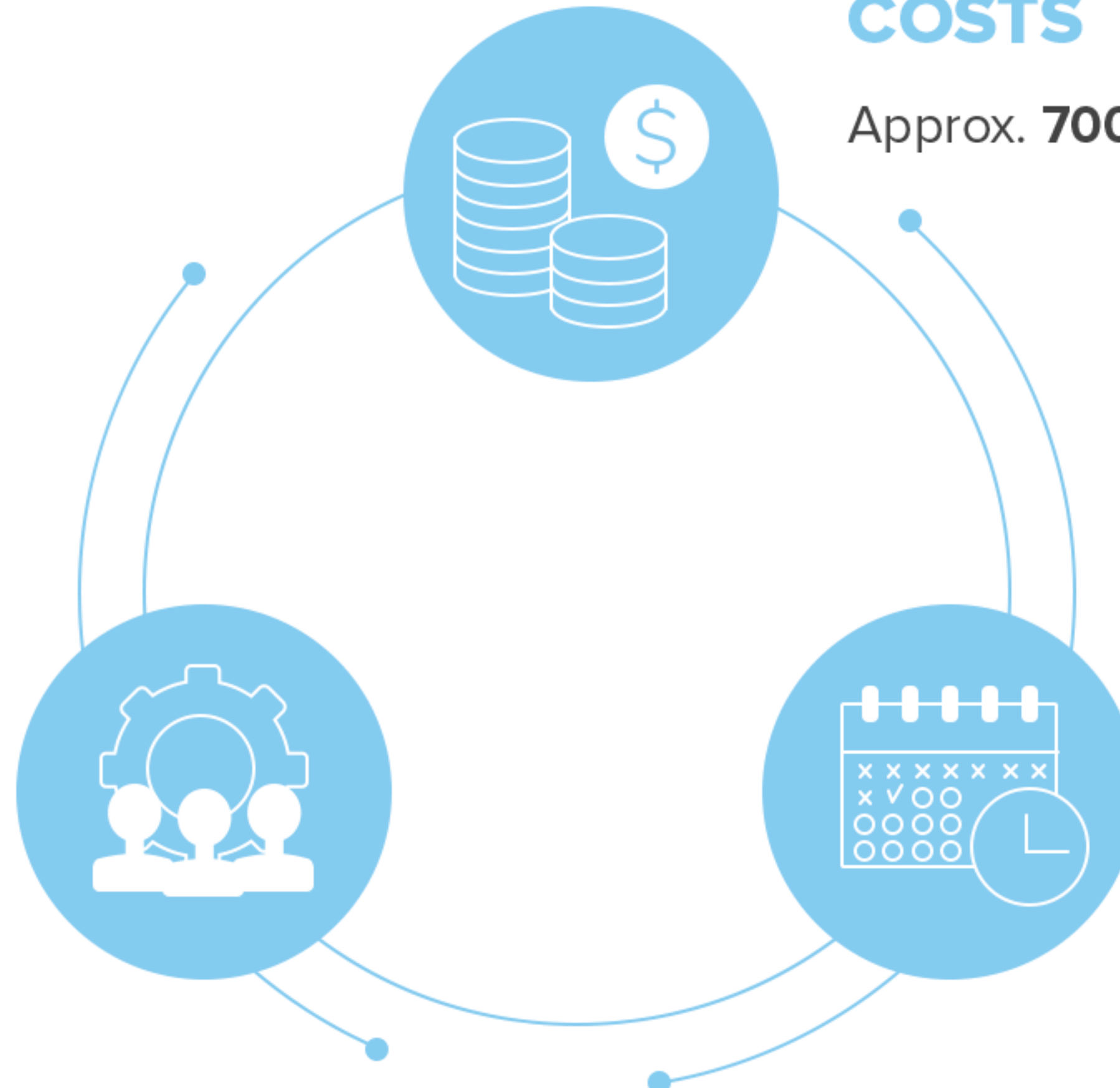
- 1 Project Manager
- 1 senior Developer
- 1 mid Developer
- 1 junior Developer
- 1 senior QA

COSTS

Approx. **700 000 USD**

TIME TO ROLL OUT

20 months





SSI OFFICES

software-innovation.ch
info@soft-innovation.ch

4 ch. des Colverts
1233 Bernex-Geneva
Switzerland

Phone: +41 78 757 91 91

45A Chornovola Avenue
UA-79019 Lviv
Ukraine

Phone: +38 066 127 65 05

Thank you!